



REACH ALPHA 5 manipulator

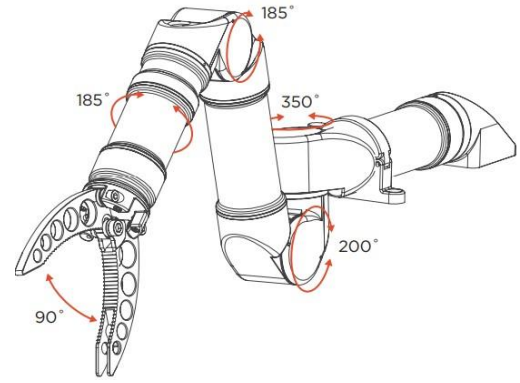
The worlds 'smallest, lightest, five-function subsea manipulator

The Alpha 5 is a tough and reliable multi-function electric manipulator for harsh environments.

Key features

Subsea manipulator technology provides

- 300 depth rating
- Intuitive interface
- Master arm control
- 0.1° Joint Accuracy
- Kinematics and self-protection
- Fits on mini ROVs
- Adjustable grab force
- Corrosion resistant
- Self-protection against collision



Specifications

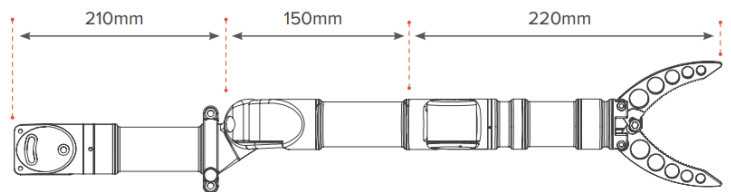
Max Closing Force:	600N (60kg)
Push-rod axial load rating:	1KN (100kg)
Reach	400mm
Outer Diameter	40mm
Standard Connector	Teledyne 6 Pin IE(W)-55 Impulse Connector (whip included)
Operator Control Options	3D Space Mouse, Gamepad, Software GUI, Master Controller
End-Effector Options	Quad Jaws, Pincer, Parallel Jaws, Rope Cutter

Electrical

Voltage:	18-30V
Wattage:	35W Max
COMS:	RS232/485

Environmental

Depth:	300MSW
Temp:	-35°C to 35°C
Material:	AL6061



Mechanical

Lift Capacity:	2000g (Full Reach)
Weight (Air):	1.35kg
Weight (Air):	0.9kg

